

## M620, Pt Temperature Sensor according to DIN EN IEC 60751

Temperature range -70 °C to +500 °C, temporary up to +550 °C

- Special element with 2000 Ohm resistance
- Excellent long term stability and low drift
- High vibration and shock resistance
- Optimized for welding, brazing and crimping

The M620 Pt-RTD is designed to provide a resistivity of 2000 Ohm. The element provides long-term stability and excellent precision over a wide temperature range and supports applications that needs a resistivity of 2000 Ohm. In principle, the products can also be used in automotive applications, in this case YAGEO Nexensos will check upon the request of the customer, whether additional requirements can be met (e.g. IMDS, PPAP).

Nominal Resistance $R_0$ [ $\Omega$ ]	Tolerance Class	Order Number	Packaging
Pt2000	F 0.3 (B)	32208541	Plastic bag

The measuring point for the nominal resistance is 8 mm from the end of the sensor body.

### Temperature Range of Tolerance Class

Validity of Class F 0.3 (B) -70 °C to +500 °C

The specified tolerance classes refer to continuous operation. Class F 0.3 also applies up to +550 °C for short periods.

### Temperature Coefficient

TCR = 3850 ppm/K

### Response Time

Water ( $v = 0.4$ m/s):	$t_{0.5} = 0.08$ s
	$t_{0.9} = 0.25$ s
Air ( $v = 2$ m/s):	$t_{0.5} = 3.7$ s
	$t_{0.9} = 11.5$ s

### Measuring Current

Pt2000  $\Omega$ : 0.1 to 0.3 mA  
(self-heating has to be considered)

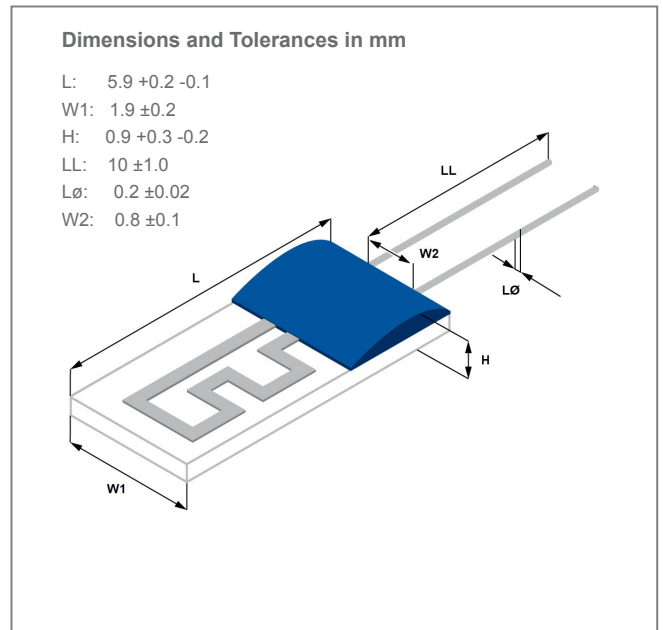


Image for illustration purposes only  
Color, shape and forming of fixing drop may vary

## M620, Pt Temperature Sensor according to DIN EN IEC 60751

Temperature range -70 °C to +500 °C, temporary up to +550 °C

### Long-Term Stability

The drift of the resistance value at 0 °C after a storage for 1000 hours in air at the declared upper temperature limit is not more than the tolerance value of the declared tolerance class according DIN EN IEC 60751.  
Typical drift of R(0 °C) is 0.04 % after 1000 hours at +500 °C.

### Self-Heating

0.3 K/mW at 0 °C

### Insulation Resistance

> 100 MΩ at 20 °C  
> 2 MΩ at 500 °C

### Vibration Resistance

At least 40 g acceleration at 10 to 2000 Hz, depends on installation

### Shock Resistance

At least 100 g acceleration with 8 ms half sine wave, depends on installation

### Connection Technology

Welding, Crimping, Brazing

### Lead Type

Pt clad Ni-wire

### Tensile Strength of Leads

≥ 9N

### Packaging

Plastic bag  
Alternative packaging forms on request.

### Storage Life

Min. 12 months (in original packaging).

### Note

Other tolerances, values of resistance and wire lengths are available on request.

Due to random sample measurements, a bending of connection wires may occur (called V-shape). This bending is batch-dependent and has no influence on the functionality of the platinum measuring resistor.

### California Proposition 65



## WARNING

WARNING: This product can expose you to chemicals including lead oxide, which is known to the State of California to cause cancer and birth defects or other reproductive harm, and including cobalt oxide, nickel and cobalt, which are known to the State of California to cause cancer.

For more information go to [www.p65warnings.ca.gov](http://www.p65warnings.ca.gov)

**RoHS**  
compliant

The information provided in this data sheet describes certain technical characteristics of the product, but shall not be qualified or construed as quality guarantee (Beschaffenheitsgarantie) in the meaning of sections 443 and 444 German Civil Code. The information provided in this data sheet regarding measurement values (including, but not limited to, response time, long-term stability, vibration and shock resistance, insulation resistance and self-heating) are average values that have been obtained under laboratory conditions in tests of large numbers of the product. Product results or measurements achieved by customer or any other person in any production, test, or other environment may vary depending on the specific conditions of use. YAGEO Nexensos does not recommend the use of standard catalogue products or automotive grades for aerospace applications or manned space flight. The customer is solely responsible to determine whether the product is suited for the customer's intended use; in this respect YAGEO Nexensos cannot assume any liability. The sale of any products by YAGEO Nexensos is exclusively subject to the General Terms of Sale and Delivery of YAGEO Nexensos in their current version at the time of purchase, which is available under [www.yageo-nexensos.com/tc](http://www.yageo-nexensos.com/tc) or may be furnished upon request. This data sheet is subject to changes without prior notice.

YAGEO Nexensos GmbH, Reinhard-Heraeus-Ring 23, 63801 Kleinostheim, Germany

YAGEO Nexensos GmbH, Germany  
Web: [www.yageo-nexensos.com](http://www.yageo-nexensos.com)  
Contact: [nexensos.america@yageo.com](mailto:nexensos.america@yageo.com)

Document: 20002221119 | Part 001 | Version 03 | Status: 11/2024

Page 2 of 2