

## H540 S, 基于 DIN EN IEC 60751标准的高温铂加热器

温度范围从-25 °C至+800 °C的特性, 短时工作温度可达850 °C

- 高达850 °C的工作温度
- 一致的热量分布
- 针对电阻焊和钎焊进行了优化设计

H540 S是一款铂薄膜加热器, 具有良好的长期稳定性和宽泛的工作温度范围(从-25 °C到+800 °C). 这些特点与小尺寸相结合, 使对液体, 气体和固体加热的同时具有高精度, 加热时间短和精确控制的优点.

标称阻值 $R_0$ [ $\Omega$ ]	公差等级	产品料号	包装方式
Pt12	+/- 0.5 ohm at 0 °C	5084080	吸塑包装

### 公差等级及温度范围

特性 基于 DIN EN 60751

-25 °C至+800 °C的特性 (短时工作温度可达850 °C)

### 电阻温度系数

TCR = 3850 ppm/K

### 长期稳定性

在下列情况下,  $R_0$  最大漂移 +/- 0.5 Ohm:

工作温度700 °C, 3W功率, 工作1000小时

从室温升到700 °C, 40s通断周期, 10000次循环

### 工作电流

最大1000 mA

### 工作电压

最大24v (考虑温度依赖性电阻)

### 最高工作温度

在850 °C下1小时

### 加热时间

从25 °C升温到700 °C,  $\geq 12s$

测试条件:

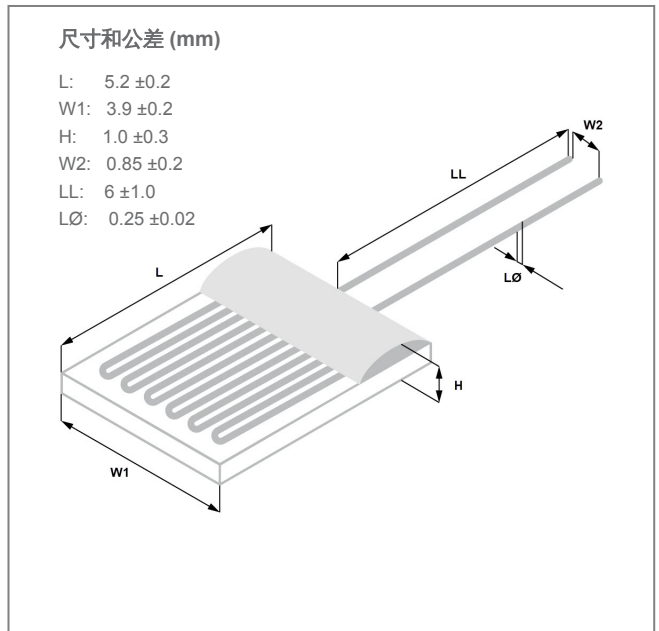
非静止空气, 室温环境中

### 引脚材质

铂金

### 连接技术

熔焊, 钎焊



图片仅供参考

固定滴的颜色, 形状与外观可能有所不同

## H540 S, 基于 DIN EN IEC 60751标准的高温铂加热器

温度范围从-25 °C至+800 °C的特性, 短时工作温度可达达850 °C

### 包装

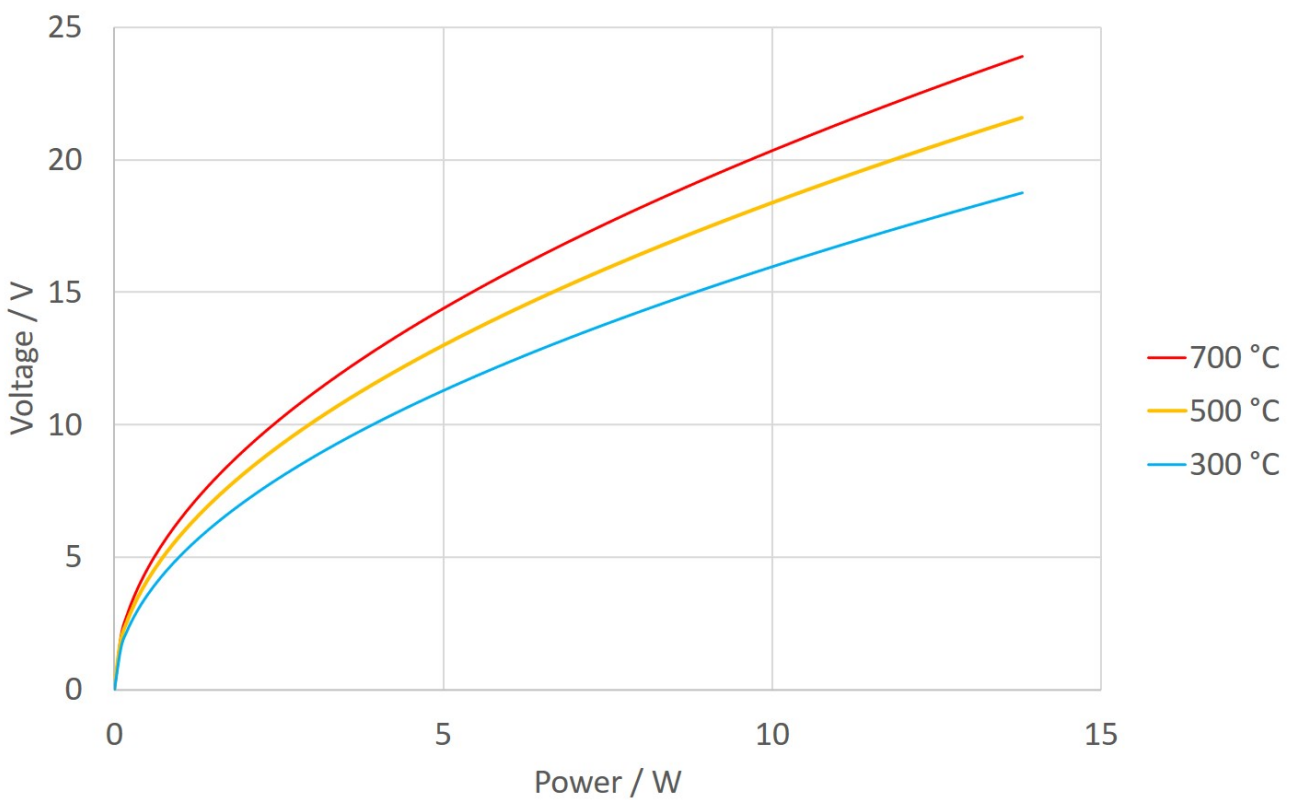
吸塑包装

公差, 基本阻值以及引脚长度等特殊需求可根据客户要求定制.

### 备注

加热器必须通过适当的外壳保护免受液体和水汽的影响。在使用温度加热器电阻进行监控、操纵或控制的情况下, 为确保其准确性, 建议单独对加热器进行校准。

由于产线的随机取样抽检, 可能会有些产品引脚变形 (俗称 V 型脚), 这种变形是批次相关的, 对产品功能性无任何影响。



**RoHS**  
compliant

The information provided in this data sheet describes certain technical characteristics of the product, but shall not be qualified or construed as quality guarantee (Beschaffenheitsgarantie) in the meaning of sections 443 and 444 German Civil Code. The information provided in this data sheet regarding measurement values (including, but not limited to, response time, long-term stability, vibration and shock resistance, insulation resistance and self-heating) are average values that have been obtained under laboratory conditions in tests of large numbers of the product. Product results or measurements achieved by customer or any other person in any production, test, or other environment may vary depending on the specific conditions of use. YAGEO Nexensos does not recommend the use of standard catalogue products or automotive grades for aerospace applications or manned space flight. The customer is solely responsible to determine whether the product is suited for the customer's intended use; in this respect YAGEO Nexensos cannot assume any liability. The sale of any products by YAGEO Nexensos is exclusively subject to the General Terms of Sale and Delivery of YAGEO Nexensos in their current version at the time of purchase, which is available under [www.yageo-nexensos.com/tc](http://www.yageo-nexensos.com/tc) or may be furnished upon request. This data sheet is subject to changes without prior notice.

YAGEO Nexensos GmbH, Reinhard-Heraeus-Ring 23, 63801 Kleinostheim, Germany

Document: 20002274752 | Part 002 | Version 07 | Status: 11/2024