

Overview

Feed-through filter range using film capacitor technology to achieve good temperature stability. The units are housed in robust, sealed metal cases of threaded construction, and offer a range of terminal finishes.

- Capacitive values from 100 – 820 nF
- Self-healing capacitors
- Wide choice of performance options
- Superior pulse current capability
- Excellent temperature stability
- Wire or tag termination options

Applications

Specifically designed for military, industrial, telecoms and medical applications, but especially suitable for use where fast rising transients are expected.



Technical Specifications

Item	Parameters/Characteristics
Rated Voltage	115 – 125 VAC 100 – 300 VDC
Rated Frequency	400 Hz
Rated Current	1 – 10 A
Rated Temperature	40°C
Temperature range	-55°C to 125°C
Climate Category	55/125/56
Voltage Test	160 - 560 VDC

Typical Electrical Schematic



Technical Specifications cont.

Part Number	C (nF)	Rated Current at 40°C (A)	Rated Voltage (VDC/VAC)	RDC (mΩ)	Pulse Capability (V/μs)	CCT
AFCL100322LJ(1)(*)(2)	220	10	350/125	6	600	1
AFCL100347JJ(1)(*)(2)	470	10	250/-	6	600	1
AFCL100382DJ(1)(*)(2)	820	10	100/-	6	490	1
AFCL100310LJ(1)(#)(2)	100	10	350/125	6	800	1
AFCL100322JJ(1)(#)(2)	220	10	250/-	6	700	1
AFCL100347DJ(1)(#)(2)	470	10	100/-	6	600	1
AFCL100347DH(1)(*)(2)	470	5	100/-	15	600	1
AFCL100347DG(1)(*)(2)	470	3	100/-	40	600	2
AFCL100347DF(1)(*)(2)	470	1	100/-	200	600	2
AFCL100322JH(1)(*)(2)	220	5	250/-	15	700	2
AFCL100322JG(1)(*)(2)	220	3	250/-	40	700	2
AFCL100322JF(1)(*)(2)	220	1	250/-	200	700	2
AFCL100310LH(1)(*)(2)	100	5	350/115	15	800	2
AFCL100310LG(1)(*)(2)	100	3	350/115	40	800	2
AFCL100310LF(1)(*)(2)	100	1	350/115	200	800	2

(1) Termination: W = Wire
T = Tag

(2) Case finish: T = Tin plated
S = Silver plated

(*) Thread Length 1 = 4.95 mm
2 = 8 mm

(#) Thread Length: 3 = 4.95 mm
4 = 8 mm

Environmental Compliance

KEMET EMI filters are RoHS Compliant.



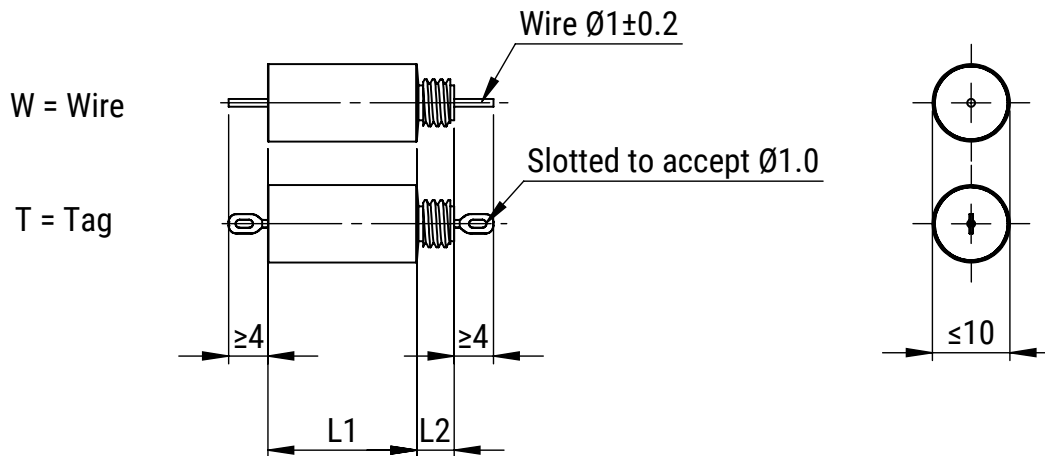
Typical Insertion Loss

Part Number	0.1 MHz (dB)	0.3 MHz (dB)	1 MHz (dB)	10 MHz (dB)	100 MHz (dB)	400 MHz (dB)
AFCL100322LJ-(*)-	9	19	28	46	49	68
AFCL100347JJ-(*)-	11	22	35	48	49	68
AFCL100382DJ-(*)-	22	30	41	46	53	68
AFCL100310LJ-(#)-	-	11	22	40	48	63
AFCL100322JJ-(#)-	-	18	28	46	49	68
AFCL100347DJ-(#)-	11	22	35	48	49	68
AFCL100347DH-(*)-	16	26	38	58	61	68
AFCL100347DG-(*)-	16	27	41	63	63	68
AFCL100347DF-(*)-	26	39	53	65	63	68
AFCL100322JH-(*)-	11	20	30	53	57	63
AFCL100322JG-(*)-	12	23	37	64	62	68
AFCL100322JF-(*)-	20	31	49	70	55	68
AFCL100310LH-(*)-	-	13	25	47	57	68
AFCL100310LG-(*)-	-	16	29	55	61	68
AFCL100310LF-(*)-	14	27	43	61	63	68

(*) Thread Length 1 = 4.95 mm
2 = 8 mm

(#) Thread Length: 3 = 4.95 mm
4 = 8 mm

Mechanical Dimensions – Millimeters



Part Number	Dimensions (mm)			Part Number	Dimensions (mm)		
	L1 Maximum	L2 Maximum	Thread		L1 Maximum	L2 Maximum	Thread
AFCL100322LJ-1-	19.1	4.95	M6x1	AFCL100322JH-1-	19.1	4.95	M6x1
AFCL100347JJ-1-	19.1	4.95	M6x1	AFCL100322JG-1-	19.1	4.95	M6x1
AFCL100382DJ-1-	19.1	4.95	M6x1	AFCL100322JF-1-	19.1	4.95	M6x1
AFCL100322LJ-2-	19.1	8	M6x1	AFCL100310LH-1-	19.1	4.95	M6x1
AFCL100347JJ-2-	19.1	8	M6x1	AFCL100310LG-1-	19.1	4.95	M6x1
AFCL100382DJ-2-	19.1	8	M6x1	AFCL100310LF-1-	19.1	4.95	M6x1
AFCL100310LJ-3-	14.2	4.95	M6x1	AFCL100347DH-2-	19.1	8	M6x1
AFCL100322JJ-3-	14.2	4.95	M6x1	AFCL100347DG-2-	19.1	8	M6x1
AFCL100347DJ-3-	14.2	4.95	M6x1	AFCL100347DF-2-	19.1	8	M6x1
AFCL100310LJ-4-	14.2	8	M6x1	AFCL100322JH-2-	19.1	8	M6x1
AFCL100322JJ-4-	14.2	8	M6x1	AFCL100322JG-2-	19.1	8	M6x1
AFCL100347DJ-4-	14.2	8	M6x1	AFCL100322JF-2-	19.1	8	M6x1
AFCL100347DH-1-	19.1	4.95	M6x1	AFCL100310LH-2-	19.1	8	M6x1
AFCL100347DG-1-	19.1	4.95	M6x1	AFCL100310LG-2-	19.1	8	M6x1
AFCL100347DF-1-	19.1	4.95	M6x1	AFCL100310LF-2-	19.1	8	M6x1

KEMET Electronics Corporation Sales Offices

For a complete list of our global sales offices, please visit www.kemet.com/sales.

Disclaimer

YAGEO Corporation and its affiliates do not recommend the use of commercial or automotive grade products for high reliability applications or manned space flight.

All product specifications, statements, information and data (collectively, the "Information") in this datasheet are subject to change. The customer is responsible for checking and verifying the extent to which the Information contained in this publication is applicable to an order at the time the order is placed. All Information given herein is believed to be accurate and reliable, but it is presented without guarantee, warranty, or responsibility of any kind, expressed or implied.

Statements of suitability for certain applications are based on KEMET Electronics Corporation's ("KEMET") knowledge of typical operating conditions for such applications, but are not intended to constitute – and KEMET specifically disclaims – any warranty concerning suitability for a specific customer application or use. The Information is intended for use only by customers who have the requisite experience and capability to determine the correct products for their application. Any technical advice inferred from this Information or otherwise provided by KEMET with reference to the use of KEMET's products is given gratis, and KEMET assumes no obligation or liability for the advice given or results obtained.

Although KEMET designs and manufactures its products to the most stringent quality and safety standards, given the current state of the art, isolated component failures may still occur. Accordingly, customer applications which require a high degree of reliability or safety should employ suitable designs or other safeguards (such as installation of protective circuitry or redundancies) in order to ensure that the failure of an electrical component does not result in a risk of personal injury or property damage.

Although all product-related warnings, cautions and notes must be observed, the customer should not assume that all safety measures are indicated or that other measures may not be required.

KEMET is a registered trademark of KEMET Electronics Corporation.