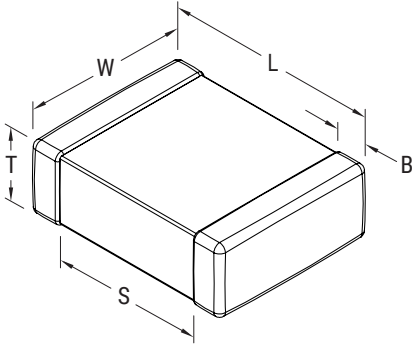


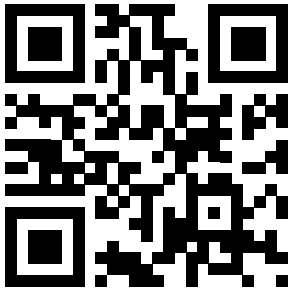
Sample Kit Contents

KEMET Part Number	Case Size	Capacitance	Cap Tolerance	Rated Voltage	T Thickness	Dielectric	Quantity
	EIA/Metric		%	VDC	mm		
C0402C100J3GACTU	0402/1005	10 pF	±5	25	0.50 ±0.05	COG	100
C0402C100J5GACTU	0402/1005	10 pF	±5	50	0.50 ±0.05	COG	100
C0402C220J3GACTU	0402/1005	22 pF	±5	25	0.50 ±0.05	COG	100
C0402C220J5GACTU	0402/1005	22 pF	±5	50	0.50 ±0.05	COG	100
C0402C121J5GACTU	0402/1005	120 pF	±5	50	0.50 ±0.05	COG	100
C0402C181K4GACTU	0402/1005	180 pF	±10	16	0.50 ±0.05	COG	100
C0402C181J5GACTU	0402/1005	180 pF	±5	50	0.50 ±0.05	COG	100
C0402C271J5GACTU	0402/1005	270 pF	±5	50	0.50 ±0.05	COG	100
C0402C102J5GACTU	0402/1005	1000 pF	±5	50	0.50 ±0.05	COG	100
C0402C102J1GACTU	0402/1005	1000 pF	±5	100	0.50 ±0.05	COG	100
C0402C220K4RACTU	0402/1005	22 pF	±10	16	0.50 ±0.05	X7R	100
C0402C181K4RACTU	0402/1005	180 pF	±10	16	0.50 ±0.05	X7R	100
C0402C271K5RACTU	0402/1005	270 pF	±10	50	0.50 ±0.05	X7R	100
C0402C102K5RACTU	0402/1005	1000 pF	±10	50	0.50 ±0.05	X7R	100
C0402C103K4RACTU	0402/1005	10000 pF	±10	16	0.50 ±0.05	X7R	100
C0402C103K5RACTU	0402/1005	10000 pF	±10	50	0.50 ±0.05	X7R	100
C0402C683K4RACTU	0402/1005	68000 pF	±10	16	0.50 ±0.05	X7R	100
C0402C823K4RACTU	0402/1005	82000 pF	±10	16	0.50 ±0.05	X7R	100
C0402C104K8RACTU	0402/1005	0.10 µF	±10	10	0.50 ±0.05	X7R	100
C0402C104K4RACTU	0402/1005	0.10 µF	±10	16	0.50 ±0.05	X7R	100
C0402C103K4PACTU	0402/1005	10000 pF	±10	16	0.50 ±0.05	X5R	100
C0402C683K8PACTU	0402/1005	68000 pF	±10	10	0.50 ±0.05	X5R	100
C0402C823K8PACTU	0402/1005	82000 pF	±10	10	0.50 ±0.05	X5R	100
C0402C104K8PACTU	0402/1005	0.10 µF	±10	10	0.50 ±0.05	X5R	100
C0402C104K4PACTU	0402/1005	0.10 µF	±10	16	0.50 ±0.05	X5R	100
C0402C104M4PACTU	0402/1005	0.10 µF	±20	16	0.50 ±0.05	X5R	100
C0402C224K9PACTU	0402/1005	0.22 µF	±10	6.3	0.50 ±0.05	X5R	100
C0402C474K9PACTU	0402/1005	0.47 µF	±10	6.3	0.50 ±0.05	X5R	100
C0402C105K9PACTU	0402/1005	1.0 µF	±10	6.3	0.50 ±0.05	X5R	100
C0402C225M9PACTU	0402/1005	2.2 µF	±20	6.3	0.50 ±0.05	X5R	100

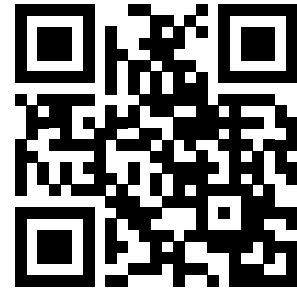
Dimensions – Millimeters (Inches)



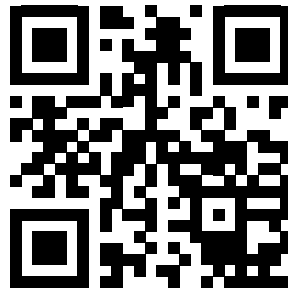
Case Size (in.)	Case Size (mm)	L Length	W Width	T Thickness	B Bandwidth	S Separation Minimum	Mounting Technique
0402	1005	1.00 (.040) ±0.05 (.002)	0.50 (.020) ±0.05 (.002)	See Table Above	0.30 (.012) ±0.10 (.004)	0.30 (.012)	Solder Reflow Only



www.kemet.com/COG



www.kemet.com/X7R



www.kemet.com/X5R

KEMET Electronics Corporation Sales Offices

For a complete list of our global sales offices, please visit www.kemet.com/sales.

Disclaimer

YAGEO Corporation and its affiliates do not recommend the use of commercial or automotive grade products for high reliability applications or manned space flight.

All product specifications, statements, information and data (collectively, the "Information") in this datasheet are subject to change. The customer is responsible for checking and verifying the extent to which the Information contained in this publication is applicable to an order at the time the order is placed. All Information given herein is believed to be accurate and reliable, but it is presented without guarantee, warranty, or responsibility of any kind, expressed or implied.

Statements of suitability for certain applications are based on KEMET Electronics Corporation's ("KEMET") knowledge of typical operating conditions for such applications, but are not intended to constitute – and KEMET specifically disclaims – any warranty concerning suitability for a specific customer application or use. The Information is intended for use only by customers who have the requisite experience and capability to determine the correct products for their application. Any technical advice inferred from this Information or otherwise provided by KEMET with reference to the use of KEMET's products is given gratis, and KEMET assumes no obligation or liability for the advice given or results obtained.

Although KEMET designs and manufactures its products to the most stringent quality and safety standards, given the current state of the art, isolated component failures may still occur. Accordingly, customer applications which require a high degree of reliability or safety should employ suitable designs or other safeguards (such as installation of protective circuitry or redundancies) in order to ensure that the failure of an electrical component does not result in a risk of personal injury or property damage.

Although all product-related warnings, cautions and notes must be observed, the customer should not assume that all safety measures are indicated or that other measures may not be required.

KEMET is a registered trademark of KEMET Electronics Corporation.