

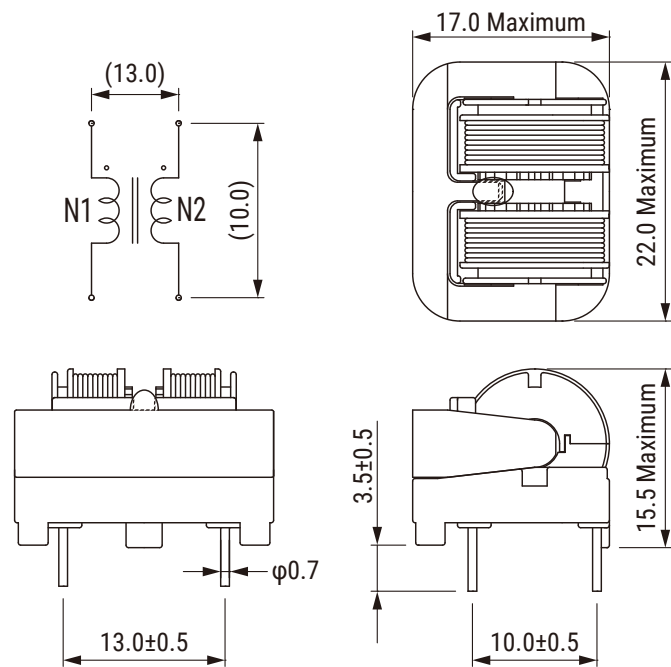
# Common Mode & Dual Mode Chokes Coils, 0.9 – 2.1 A Medium Current Kit

## Sample Kit Contents

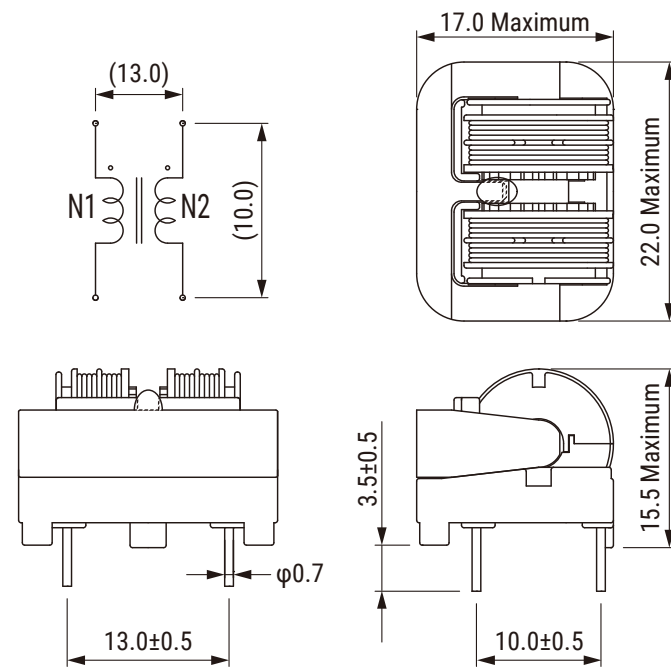
KEMET Part Number	Rated Voltage (VAC)	Rated Current (A)	Inductance (mH) at 10 kHz Minimum	DC Resistance/Line (Ω) Maximum	Temperature Range	Quantity	Description
SSHB10HS-10051	250	1.00	5.10	0.430	-25/+130°C	1	SSHB10HS, Dual Mode
SSHB10H-10064	250	1.00	6.40	0.480	-25/+130°C	1	SSHB10H, Dual Mode
SSRH7HS-M10084	250	1.00	8.40	0.320	-25/+120°C	1	SSRH7HS-M, Common Mode
SSRH7H-M10108	250	1.00	10.80	0.360	-25/+120°C	1	SSRH7H-M, Common Mode
SSHB10HS-R10122	250	1.00	12.20	0.430	-25/+120°C	1	SSHB10HS, Dual Mode
SSR10VS-10135	250	1.00	13.50	0.430	-25/+120°C	1	SSR10VS/HS, Common Mode
SSHB10H-R10151	250	1.00	15.10	0.480	-25/+120°C	1	SSHB10H, Dual Mode
SSR10V-10170	250	1.00	17.00	0.480	-25/+120°C	1	SSR10V/H, Common Mode
SSR21NVS-M10345	250	1.00	34.50	0.510	-25/+120°C	1	SSR21NVS-M/NHS-M, Common Mode
SSR21NV-M10475	250	1.00	47.50	0.580	-25/+120°C	1	SSR21NV-M/NH-M, Common Mode
SSHB10HS-11043	250	1.10	4.30	0.350	-25/+130°C	1	SSHB10HS, Dual Mode
SSHB10H-11054	250	1.10	5.40	0.390	-25/+130°C	1	SSHB10H, Dual Mode
SSRH7HS-M11064	250	1.10	6.40	0.240	-25/+120°C	1	SSRH7HS-M, Common Mode
SSRH7H-M11081	250	1.10	8.10	0.270	-25/+120°C	1	SSRH7H-M, Common Mode
SSHB10HS-R11100	250	1.10	10.00	0.350	-25/+120°C	1	SSHB10HS, Dual Mode
SSR10VS-11110	250	1.10	11.00	0.330	-25/+120°C	1	SSR10VS/HS, Common Mode
SSHB10H-R11128	250	1.10	12.80	0.390	-25/+120°C	1	SSHB10H, Dual Mode
SSR10V-11140	250	1.10	14.00	0.370	-25/+120°C	1	SSR10V/H, Common Mode
SSR21NVS-M12220	250	1.20	22.00	0.350	-25/+120°C	1	SSR21NVS-M/NHS-M, Common Mode
SSR21NV-M12345	250	1.20	34.50	0.430	-25/+120°C	1	SSR21NV-M/NH-M, Common Mode
SSRH24NVS-12500	250	1.20	50.00	0.430	-25/+120°C	1	SSRH24NVS/NHS, Common Mode
SSRH24NV-12655	250	1.20	65.50	0.475	-25/+120°C	1	SSRH24NV/NH, Common Mode
SSHB10HS-13030	250	1.30	3.00	0.250	-25/+130°C	1	SSHB10HS, Dual Mode
SSHB10H-13037	250	1.30	3.70	0.280	-25/+130°C	1	SSHB10H, Dual Mode
SSRH7HS-M13046	250	1.30	4.60	0.180	-25/+120°C	1	SSRH7HS-M, Common Mode
SSRH7H-M13064	250	1.30	6.40	0.210	-25/+120°C	1	SSRH7H-M, Common Mode
SSHB10HS-R13071	250	1.30	7.10	0.250	-25/+120°C	1	SSHB10HS, Dual Mode
SSR10VS-13075	250	1.30	7.50	0.240	-25/+120°C	1	SSR10VS/HS, Common Mode
SSHB10H-R13088	250	1.30	8.80	0.280	-25/+120°C	1	SSHB10H, Dual Mode
SSR10V-13097	250	1.30	9.70	0.270	-25/+120°C	1	SSR10V/H, Common Mode
SSRH7HS-M15036	250	1.50	3.60	0.130	-25/+120°C	1	SSRH7HS-M, Common Mode
SSRH7H-M15043	250	1.50	4.30	0.140	-25/+120°C	1	SSRH7H-M, Common Mode
SSR21NVS-M15164	250	1.50	16.40	0.230	-25/+120°C	1	SSR21NVS-M/NHS-M, Common Mode
SSR21NV-M15220	250	1.50	22.00	0.260	-25/+120°C	1	SSR21NV-M/NH-M, Common Mode
SSRH24NVS-16320	250	1.60	32.00	0.265	-25/+120°C	1	SSRH24NVS/NHS, Common Mode
SSRH24NV-16470	250	1.60	47.00	0.327	-25/+120°C	1	SSRH24NV/NH, Common Mode
SSHB10HS-17019	250	1.70	1.90	0.170	-25/+130°C	1	SSHB10HS, Dual Mode
SSHB10H-17023	250	1.70	2.30	0.190	-25/+130°C	1	SSHB10H, Dual Mode
SSRH7HS-M17023	250	1.70	2.30	0.100	-25/+120°C	1	SSRH7HS-M, Common Mode
SSRH7H-M17029	250	1.70	2.90	0.120	-25/+120°C	1	SSRH7H-M, Common Mode
SSHB10HS-R17046	250	1.70	4.60	0.170	-25/+120°C	1	SSHB10HS, Dual Mode
SSR10VS-17048	250	1.70	4.80	0.170	-25/+120°C	1	SSR10VS/HS, Common Mode
SSHB10H-R17055	250	1.70	5.50	0.190	-25/+120°C	1	SSHB10H, Dual Mode
SSR10V-17058	250	1.70	5.80	0.180	-25/+120°C	1	SSR10V/H, Common Mode
SSR21NVS-M18125	250	1.80	12.50	0.190	-25/+120°C	1	SSR21NVS-M/NHS-M, Common Mode
SSR21NV-M18164	250	1.80	16.40	0.210	-25/+120°C	1	SSR21NV-M/NH-M, Common Mode
SSRH7HS-M20013	250	2.00	1.30	0.080	-25/+120°C	1	SSRH7HS-M, Common Mode
SSRH7H-M20016	250	2.00	1.60	0.090	-25/+120°C	1	SSRH7H-M, Common Mode
SSR21NVS-M20103	250	2.00	10.30	0.150	-25/+120°C	1	SSR21NVS-M/NHS-M, Common Mode
SSR21NV-M20125	250	2.00	12.50	0.160	-25/+120°C	1	SSR21NV-M/NH-M, Common Mode
SSRH24NVS-20215	250	2.00	21.50	0.177	-25/+120°C	1	SSRH24NVS/NHS, Common Mode
SSRH24NV-20310	250	2.00	31.00	0.214	-25/+120°C	1	SSRH24NV/NH, Common Mode
KEMET Part Number	Rated Voltage (VAC)	Rated Current (A)	Inductance (mH) at 10 kHz Minimum	DC Resistance/Line (Ω) Maximum	Temperature Range	Quantity	Description

## Dimensions – Millimeters (Inches)

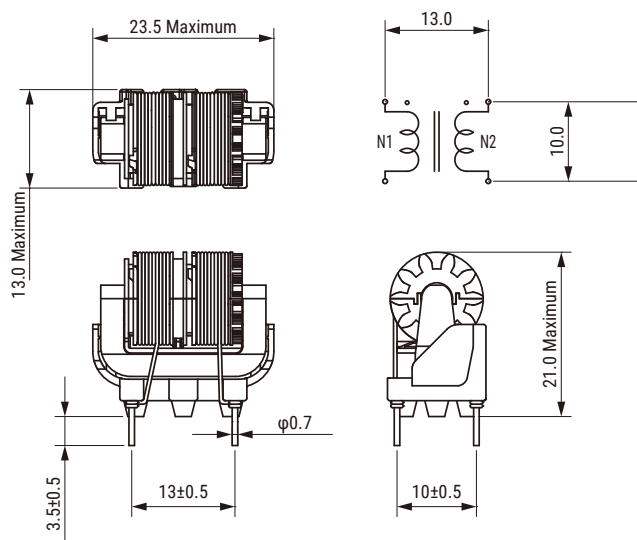
SSHB10H



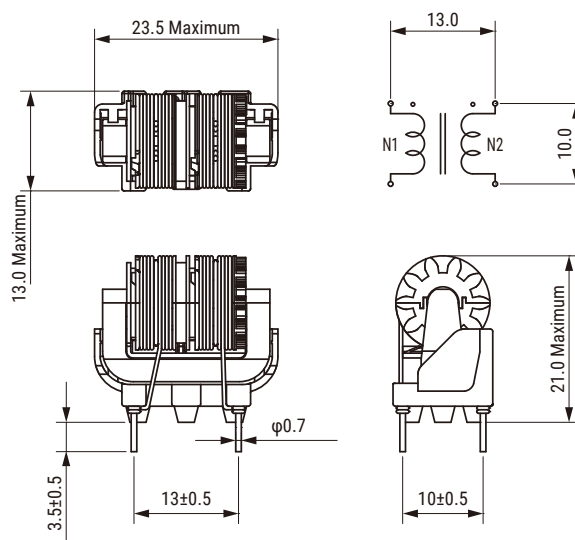
SSHB10HS



SSR10V

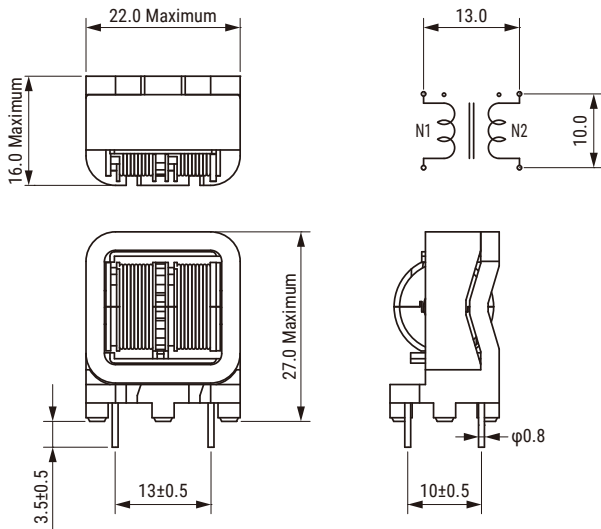


SSR10VS

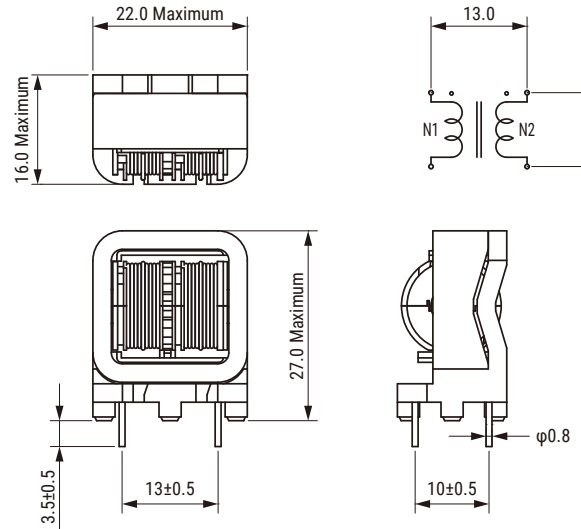


## Dimensions – Millimeters (Inches) cont.

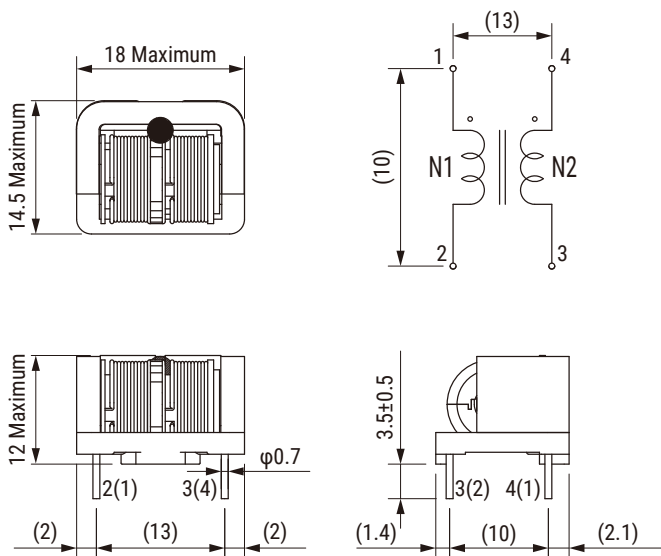
### SSR21NV-M



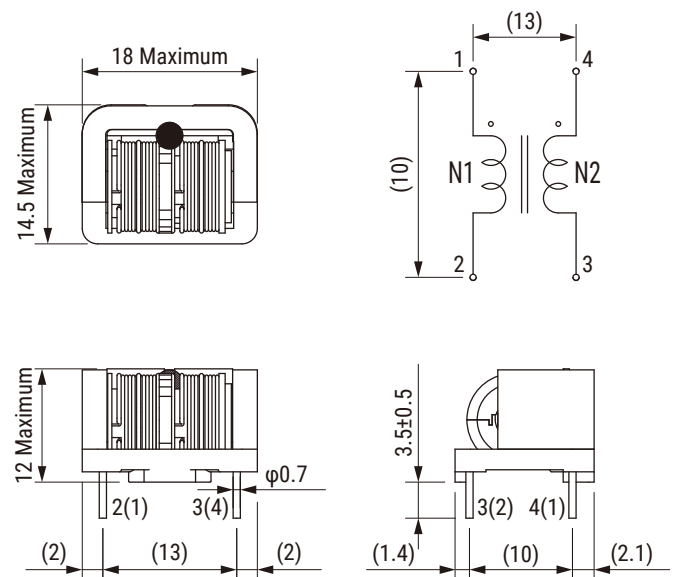
### SSR21NVS-M



### SSRH7H-M



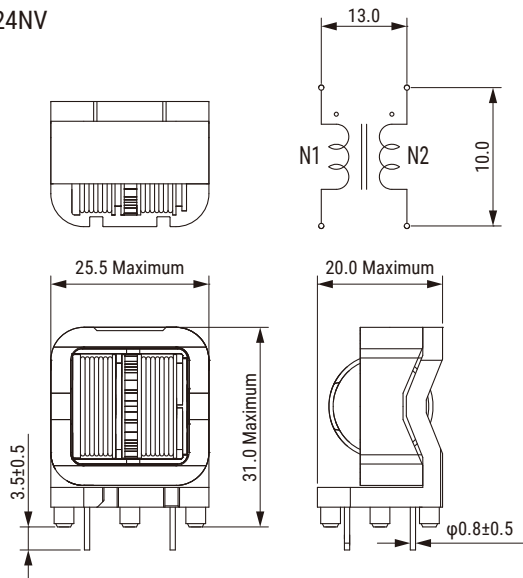
### SSRH7HS-M



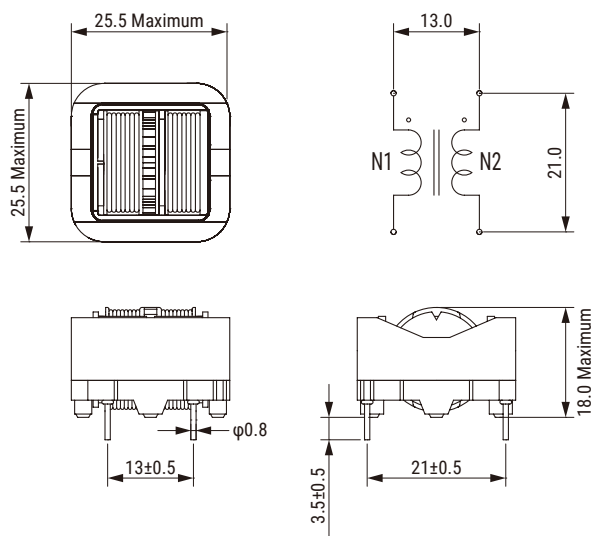
## Dimensions – Millimeters (Inches) cont.

### SSRH24NV/NH

● SSRH24NV

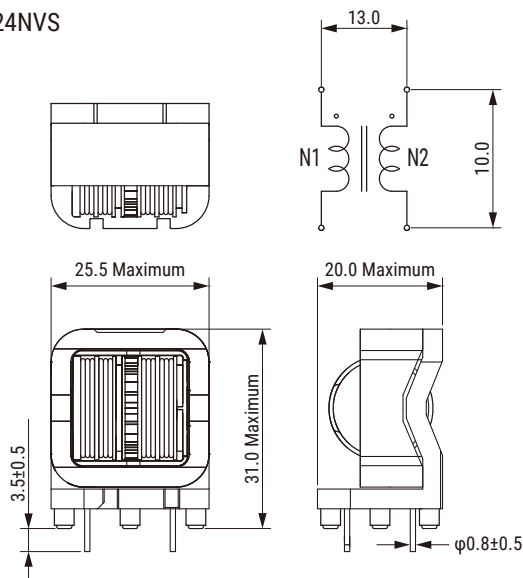


● SSRH24NH

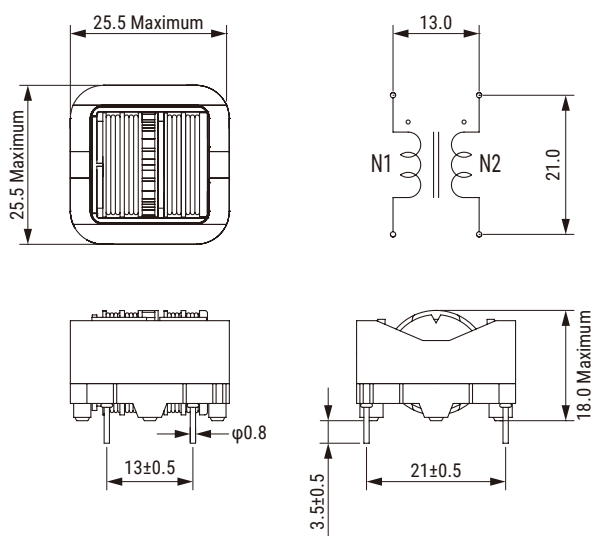


### SSRH24NVS/NHS

● SSRH24NVS



● SSRH24NHS



## KEMET Electronics Corporation Sales Offices

For a complete list of our global sales offices, please visit [www.kemet.com/sales](http://www.kemet.com/sales).

---

## Disclaimer

YAGEO Corporation and its affiliates do not recommend the use of commercial or automotive grade products for high reliability applications or manned space flight.

All product specifications, statements, information and data (collectively, the "Information") in this datasheet are subject to change. The customer is responsible for checking and verifying the extent to which the Information contained in this publication is applicable to an order at the time the order is placed. All Information given herein is believed to be accurate and reliable, but it is presented without guarantee, warranty, or responsibility of any kind, expressed or implied.

Statements of suitability for certain applications are based on KEMET Electronics Corporation's ("KEMET") knowledge of typical operating conditions for such applications, but are not intended to constitute – and KEMET specifically disclaims – any warranty concerning suitability for a specific customer application or use. The Information is intended for use only by customers who have the requisite experience and capability to determine the correct products for their application. Any technical advice inferred from this Information or otherwise provided by KEMET with reference to the use of KEMET's products is given gratis, and KEMET assumes no obligation or liability for the advice given or results obtained.

Although KEMET designs and manufactures its products to the most stringent quality and safety standards, given the current state of the art, isolated component failures may still occur. Accordingly, customer applications which require a high degree of reliability or safety should employ suitable designs or other safeguards (such as installation of protective circuitry or redundancies) in order to ensure that the failure of an electrical component does not result in a risk of personal injury or property damage.

Although all product-related warnings, cautions and notes must be observed, the customer should not assume that all safety measures are indicated or that other measures may not be required.

When providing KEMET products and technologies contained herein to other countries, the customer must abide by the procedures and provisions stipulated in all applicable export laws and regulations, including without limitation the International Traffic in Arms Regulations (ITAR), the US Export Administration Regulations (EAR) and the Japan Foreign Exchange and Foreign Trade Act.

*KEMET is a registered trademark of KEMET Electronics Corporation.*